

# "Experience the Hays Difference"



## **PTAT280RD Pull Type Auger Tender- Rear Discharge**

### **Pull Type Auger Tender**

#### **Hopper & Auger System:**

- 304 Stainless Steel Hopper- Designed with greater slope for easy unloading
- 280 Cubic Foot Hopper Capacity (See Tonnage Conversion Chart)
- Agri-Cover Roll Tarp System
- Auger System- 10" x 21'6" Stainless Steel Tube with Stainless Steel Pipe and Screw

#### **Hydraulic System:**

- 27 HP Kohler Engine and Heavy Duty Hydraulic System
- Hydraulic Reservoir and Filter
- Hydraulic Vibrators
- Hydraulic operated Main Door and Clean Out Door
- Hydraulic Raise/Lower Discharge Auger

#### **Trailer Assembly:**

- Heavy Duty 8x2x1/4 Rectangular Tube Construction
- Urethane Paint System
- 10K Torsion Axles with 4 Wheel Hydraulic Surge Brakes
- 11R 22.5 Radial Tires
- 10K Drop Leg Jack
- Hydraulic Surge Brake Hitch and Safety Chains
- Stainless Steel Fenders
- Poly Engine Cover
- Central Grease Station
- Easy Disassemble and Reassemble
- Open Design for easy Clean Up and Maintenance

#### **Options:**

- 22HP Honda Engine
- 16.5L x 16.1 Rib Flotation Tires
- Two Compartment Hopper
- 4 Wheel Hydraulic Surge Brakes
- Light Kit

**Ronald Hays**  
[ronaldhays@camillaga.net](mailto:ronaldhays@camillaga.net)

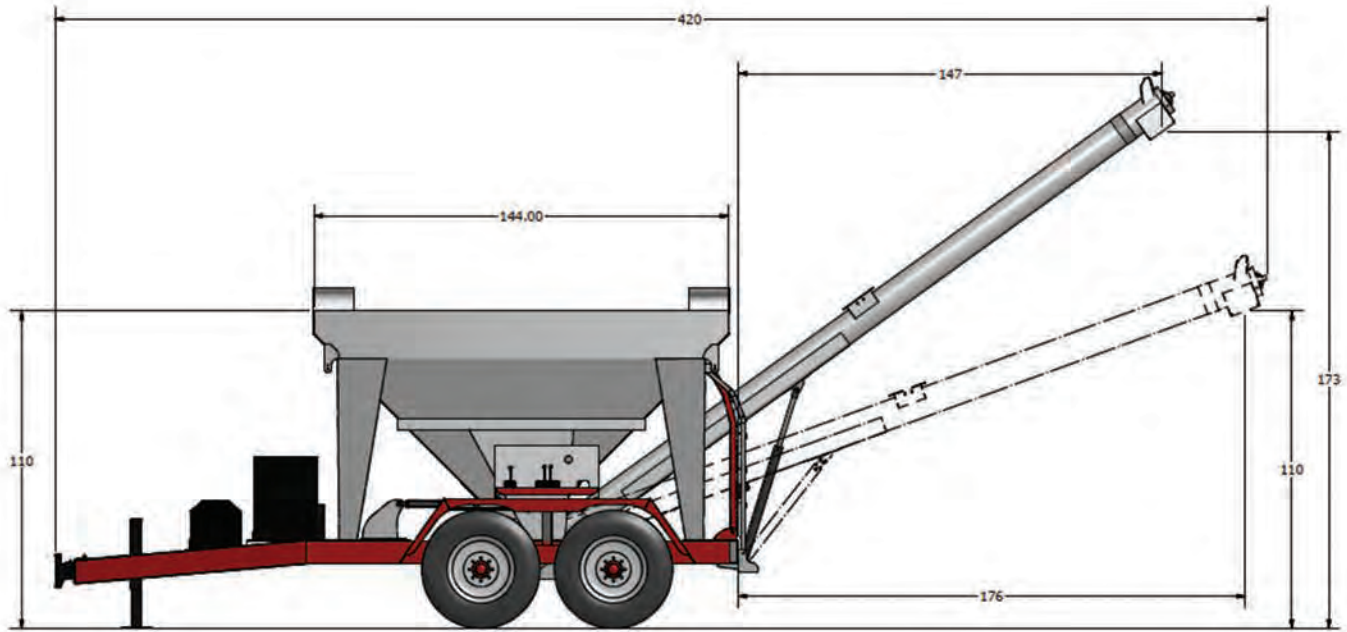
**229-336-7103**  
**Fax- 229-336-5297**



**Donna Hays Stewart**  
[donnastewart@camillaga.net](mailto:donnastewart@camillaga.net)

[www.hayslti.com](http://www.hayslti.com)  
**866-547-4297**

**P.O. Box 514 | 11 Industrail Blvd. | Camilla, GA 31730**



Payload per Fertilizer Weight					
Hopper Capacity	50 lbs per cuft	55 lbs per cuft	60 lbs per cuft	65 lbs per cuft	70 lbs per cuft
280 cuft	14000 lbs/ 7 Tons	15400 lbs/ 7.7 Tons	16800 lbs/ 8.4 Tons	18200 lbs/ 9.1 Tons	19600 lbs/ 9.8 Tons

